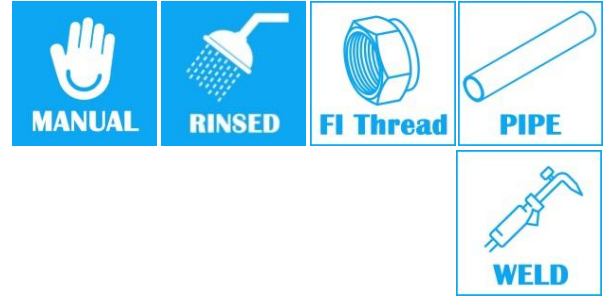
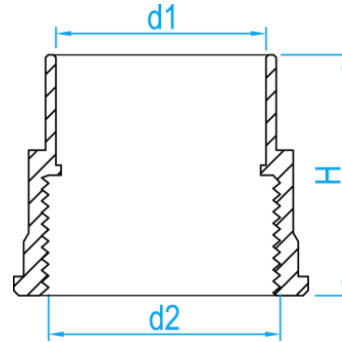


COPPER CAPILLARY FITTING

COMPLY WITH BS EN 1254-1
AS/NZS 4020
BS EN 1982



MBL x FI ADAPTOR



CROSS SECTIONAL VIEW

COMPONENT PARTS

PARTS	MATERIAL
Body	Bronze

DIMENSIONS

SKU	d2 (inch)	d1 (mm)	H (mm)	WEIGHT (kg)	PCS/CTN
MBLFIA015	½" BSP	15	27	0.042	400
MBLFIA020	¾" BSP	22	32.9	0.074	300
MBLFIA025	1" BSP	28	40.0	0.104	150
MBLFIA035	1¼" BSP	35	44.0	0.156	100
MBLFIA042	1½" BSP	42	50.0	0.200	90
MBLFIA050	2" BSP	54	58.5	0.405	40
MBLFIA065	2½" BSP	67	64.0	0.605	24